

Mobile Cobot Light Duty Series 60

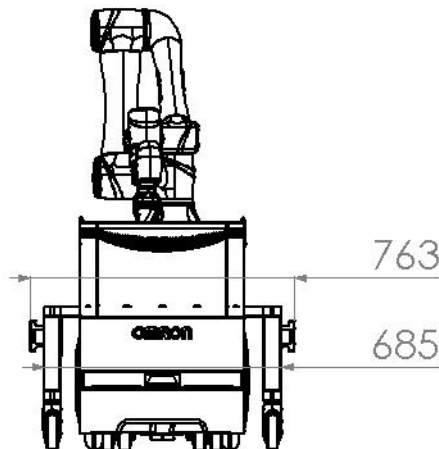
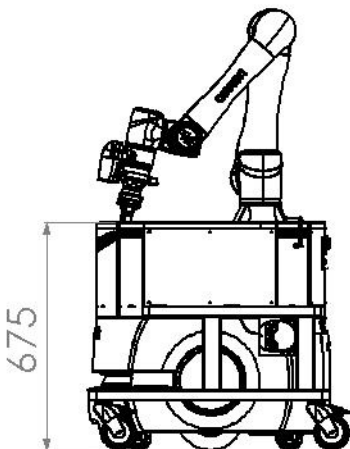
Light Duty Mobile Cobot (Mobile Manipulator) based on Omron LD-60 platform and Omron TM collaborative robot. Mobile Cobots can move autonomously between different work areas, switch from one job to the next in a breeze and transport material at the same time. Integrated Machine Vision enables the robot to calibrate its position on different work areas, read barcodes and recognize work pieces. Wide range of grippers available as an option. Delivered fully assembled.



Standard models

Model	Cobot	Reach	Payload	Side lasers
MC60-7	TM5-700	700 mm	6 kg	NO
MC60-7S	TM5-700	700 mm	6 kg	YES
MC60-9	TM7-900	900 mm	4 kg	NO
MC60-9S	TM7-900	900 mm	4 kg	YES

All images are for illustrative purposes only, actual design may vary. Custom designs available on request.



Platform details, LD-60

Maximum payload: 60 kg

Maximum speed: 1.80 m/s

Optional side scanning lasers (MC60-_S models)

Optional fleet management server

Cobot details, TM5-700

Maximum reach 700 mm

Maximum payload 6 kg

Cobot details, TM5-900

Maximum reach 900 mm

Maximum payload 4 kg

Integration Module

Programmable PLC (Omron NX-102)

Programmable Safety Controller (Omron NX-SL3300)

Safety measures to prevent simultaneous movement of platform and cobot

Industrial 4G LTE Wi-Fi router

Integration guide supplied with every unit

Options

Wide range of grippers available on request