

Pick-up and Drop-off station PDS-1

Dimalog

Pick-up and Drop-off station matching to our Conveyor Top Modules. Will be built according to your needs. Height, length, width, number of conveyor zones and roller pitch can be selected when ordering. Transported products can also be automatically aligned with the conveyor as an option, which positions and aligns the products against the side guide. A very useful feature for example when the products will be picked up by robot/cobot arm.



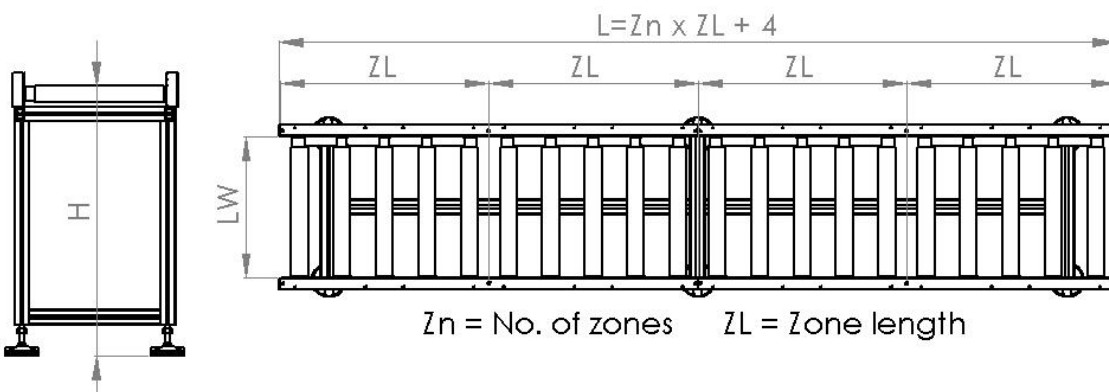
PDS-1

- 24VDC Roller drive (D=54 mm incl. PVC coating)
- Roller drive controller with adjustable roller speed
- Poly-V belt driven, PVC-coated rollers
- Optical sensors in both ends of the conveyor and in between the conveyor zones
- Adjustable side guides on the robot end
- Max payload up to 200 kg / zone
- Options:
- CAPS Target
- Fixed or electric front/back stop
- Incline, decline, alignment versions available
- Control options: IO, remote IO, PLC, HMI

Dimensions of standard models

Model	Lane width LW (+/-10 mm)	Zone length ZL	No. of zones Zn	Height H (+/-30 mm)
PDS-1-1-XXXX-N-HHHH	310	XXXX	N	HHHH
PDS-1-2-XXXX-N-HHHH	410	XXXX	N	HHHH
PDS-1-3-XXXX-N-HHHH	510	XXXX	N	HHHH
PDS-1-4-XXXX-N-HHHH	610	XXXX	N	HHHH
PDS-1-5-XXXX-N-HHHH	710	XXXX	N	HHHH
PDS-1-6-XXXX-N-HHHH	810	XXXX	N	HHHH
PDS-1-7-XXXX-N-HHHH	1010	XXXX	N	HHHH
PDS-1-8-XXXX-N-HHHH	1210	XXXX	N	HHHH

Other widths and lengths available on request.



Pick-up and Drop-off station PDS-2

Dimalog

Pick-up and Drop-off station matching to our Conveyor Top Modules. Will be built according to your needs. Height, length, width, number of conveyor zones and roller pitch can be selected when ordering. Transported products can also be automatically aligned with the conveyor as an option, which positions and aligns the products against the side guide. A very useful feature for example when the products will be picked up by robot/cobot arm.



PDS-2

- 24VDC Roller drive (D=54 mm incl. PVC coating)
- Roller drive controller with adjustable roller speed
- Poly-V belt driven, PVC-coated rollers
- Optical sensors in both ends of the conveyor and in between the conveyor zones
- Adjustable side guides on the robot end
- Max payload up to 200 kg / zone
- Options:
- CAPS Target
- Fixed or electric front/back stop
- Incline, decline, alignment versions available
- Control options: IO, remote IO, PLC, HMI

Dimensions of standard models

Model	Lane width LW (+/-10 mm)	Zone length ZL	No. of zones Conveyor1	No. of zones Conveyor2	Height H (+/- 30 mm)
PDS-2-1-XXXX-N-M-HHHH	310	XXXX	N	M	HHHH
PDS-2-2-XXXX-N-M-HHHH	410	XXXX	N	M	HHHH
PDS-2-3-XXXX-N-M-HHHH	510	XXXX	N	M	HHHH
PDS-2-4-XXXX-N-M-HHHH	610	XXXX	N	M	HHHH
PDS-2-5-XXXX-N-M-HHHH	710	XXXX	N	M	HHHH
PDS-2-6-XXXX-N-M-HHHH	810	XXXX	N	M	HHHH
PDS-2-7-XXXX-N-M-HHHH	1010	XXXX	N	M	HHHH
PDS-2-8-XXXX-N-M-HHHH	1210	XXXX	N	M	HHHH

Other widths and lengths available on request.

